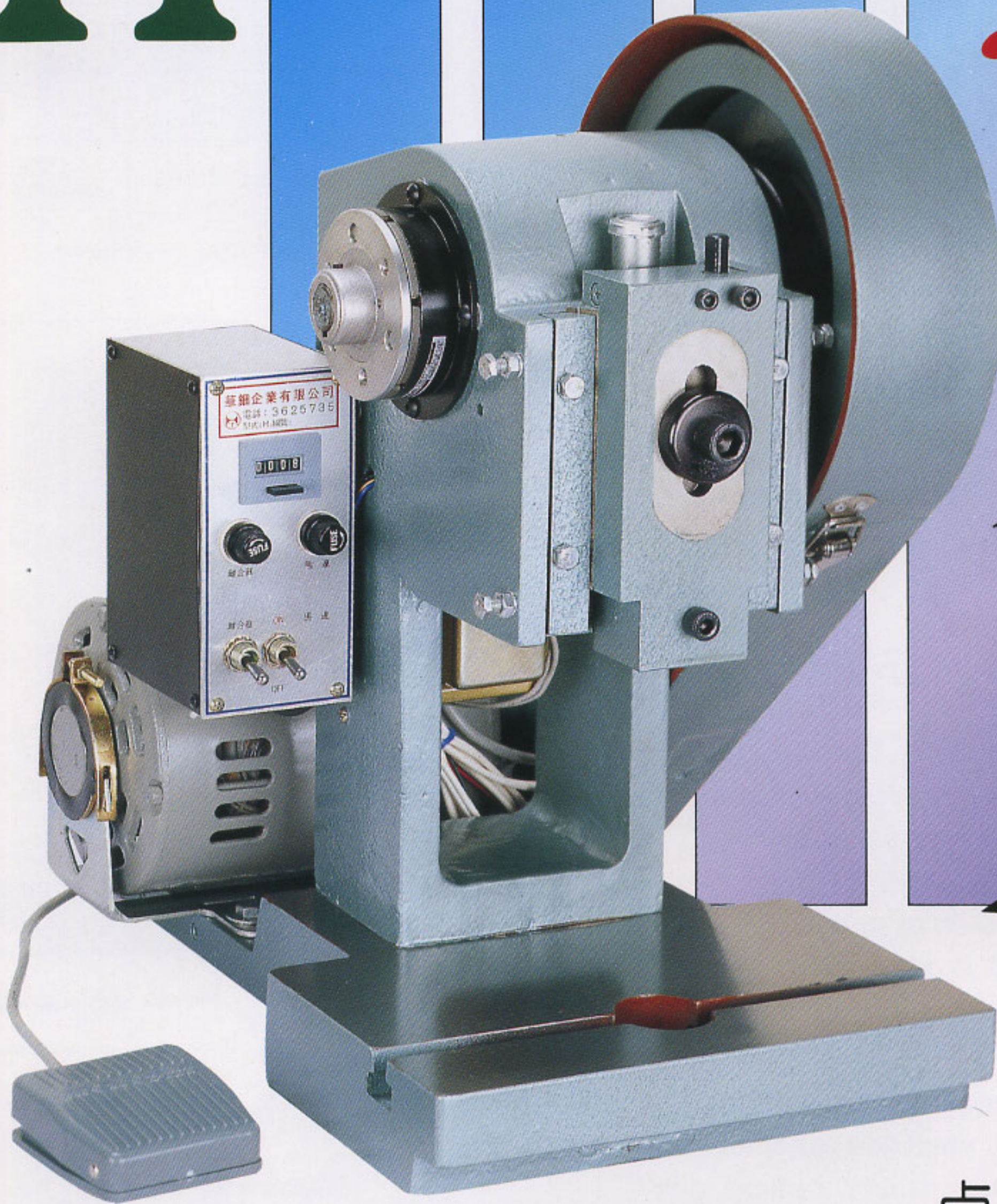




優良產品值得您信賴！

華鈿 企業有限公司

HWA TYAN



- 精密
- 超靜
- 安全
- 穩定
- 超高生產效率



■ 電磁式 ■
桌上型精密冲床

.....
電子輕型冲床、可變電阻器、開關器、夾具、治具、自動化機械設計、製造

型號

H103

桌上型精密冲床 DESK-TOP TYPE PRECISION PUNCHING MACHINE

■規格表 Specifications Table

能力 Capacity	1.2噸(TON)
行程 Stroke	25-31mm
滑塊調整 Ram Adjust(up/down)	42mm
張開高度 Open Height	162mm
關閉高度 Shut Height Bolster Plate to Rom	130mm
項孔尺寸 Ram Hole	15 φ -20 φ
離合器 Clutch Type	電磁式離合器
馬達功率 Motor Capacity	250w 單相AC110/220
淨重 NET Weight	60KG

產品特性說明：

- (1)採用高級精密電磁式離合器及制動器。
- (2)採用可調控制定點開關，防止重覆衝打之特殊設計，讓作業員不再有壓迫感，以提高生產效率及品質。
- (3)超靜音、無噪音，即使在小客廳式工廠操作，亦絕不妨礙鄰居安寧。

產品使用範圍：

電氣、電子零件、電機、通訊、交通器材、光學、照相、鐘錶、玩具、皮件、手工藝等行業之精密加工業專用。

Product Features Description:

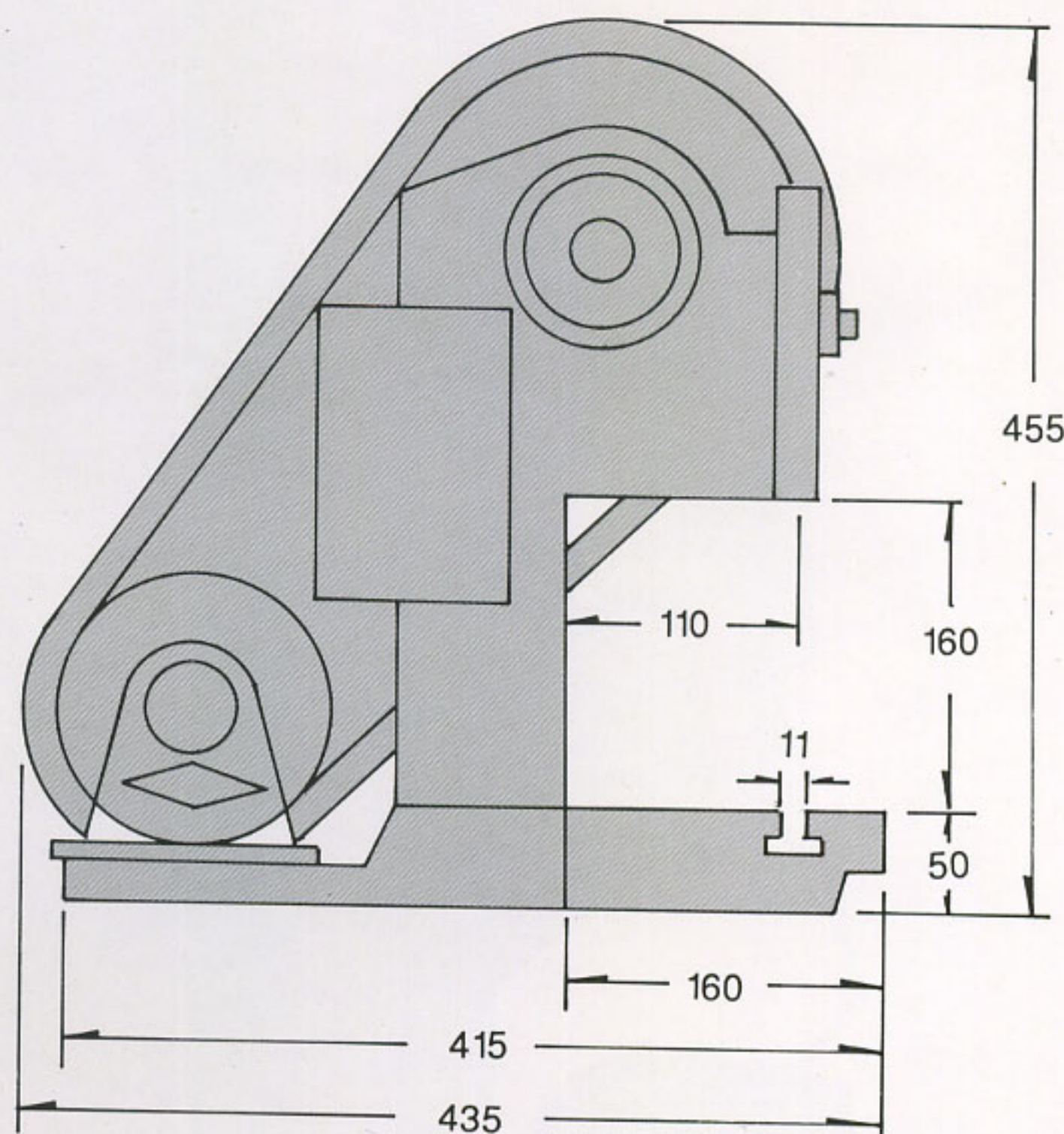
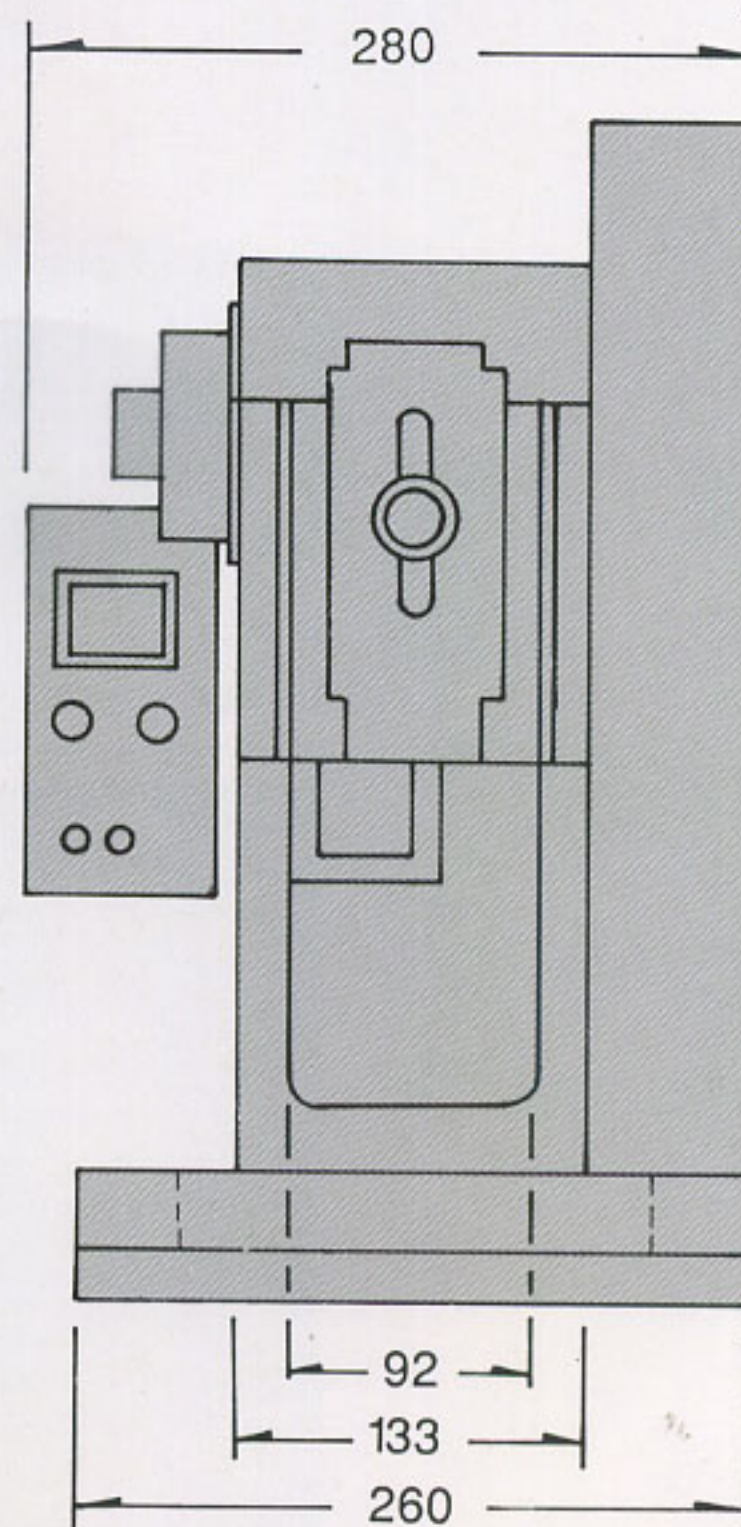
Adopting high-class precision electro-magnetic clutch and brake.

Adopting the special design of adjustable, fixed-point control to prevent repeated punching from occurring, and allow the workers get rid of tension, so as to enhance production efficiency and quality.

Ultra-quiet without any noise. It would not cause any disturbance to neighbours even if it is operated in a sitting room type of factory.

Scope of Utilization:

Specially designed for the processing required for the electrical, electronic spare parts, electrical engineering, supplies and materials for communications, optical, photography, clocks and watches, toys, leather goods, handicrafts industries.



Electrical Press
H103精密冲床



華鈿企業有限公司

HWA TYAN ENTERPRISE CO., LTD.

桃園市玉山街233巷36弄5號

FACTORY: NO. 5, ALLEY 36, LANE 233, YUH SHAN STREET, TAOYUAN, TAIWAN, R. O. C.

TEL: (03)3625735

FAX: (886)3635027

行動: 092091232

B.B.C.: 060314014